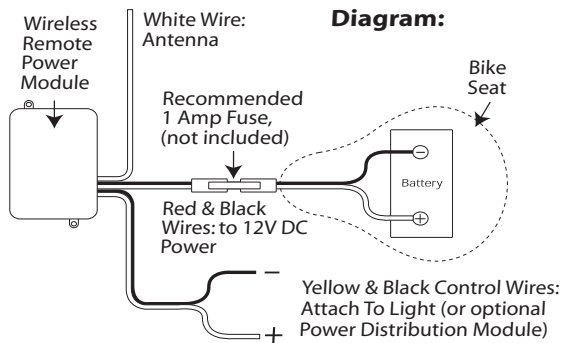


Wireless Remote Power Module Instructions:

Wireless Remote Power Module consists of: Power Module, wireless remote control (batteries included), two mounting screws, and instructions.

1. After installing light accessories, locate desired position for power module and secure with mounting screws.
2. Stretch out white antenna wire and tape down, away from any moving parts.
3. Connect the positive and negative power wires (fused red and black wires) to the appropriate connections to the motorcycle battery (12 volt) found under the seat (See Diagram below).
4. Connect the positive and negative control wires (fused yellow and black wires) to the appropriate connections on the light accessory you wish to control remotely.
5. Based on the placement of the lights, you may have excess wire. Retain with supplied cable ties (included in packaging) and locate away from moving parts.

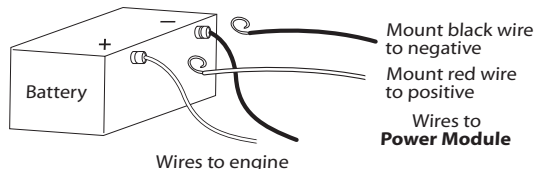


This diagram does not depict all motorcycle layouts. Please consult the Owner's Manual for exact positioning of the battery.

Warning:

Do not mount in a position that could impair or distract you or others from operating a motor vehicle. Use caution when mounting and routing wires to avoid all moving parts. **Especially take note to not interfere with full motion of steering.** If you are unsure of the installation procedure, please consult a qualified automotive/motorcycle installer. This product is not intended for the use of children under the age of 7 years. Some states prohibit the use of specific light colors on motor vehicles; check local rules and regulations before installing on exterior. Please obey all traffic laws.

Attaching To Battery:



1. Turning counterclockwise, loosen the negative (black) battery terminal connecting battery to engine.
2. Wrap black **Power Module** wire around negative pole clockwise. Additional insulation may need to be stripped from wire. Re-tighten terminal leaving the wires to the engine in place.
3. Turning counterclockwise, loosen the positive (red) battery terminal connecting battery to engine.
4. Wrap red **Power Module** wire around positive pole clockwise. Re-tighten terminal leaving wires to the engine in place.

Replacing Remote Batteries:

1. Remove screw from back of Remote Control unit and separate casing halves.
2. Remove and discard old battery.
3. Replace with 27A 12V battery only.
4. Reassemble unit.

